

## MASTER EVANCE Seat



Compact and  
Competitive

Nose mounted, this seat makes it possible to fix 2 rows of seats on the upper tier, thus saving one tier.

Its simple and strong design can come in different versions:

- Wooden shell on seat and back as a standard
- With upholstered pads on seat and/or back
- With fully upholstered seat and/or back
- With counterweight for completely automatic operation: huge time saver

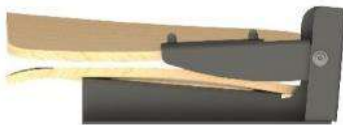
All these versions make Master Evance seat adaptative to all types of projects: sports, education and cultural venues.



**MASTER EVANCE SEAT**  
Designed and manufactured  
entirely in France



\* See terms &  
conditions warranty



MASTER Evance mixed version



MASTER Evance fully padded



MASTER Evance with upholstered cushion on seat

#### FEATURES

**For use as follows:** Fixed seat base and folding backrest (Nose mounted)

**Operation:** Manual or automatic

**Attachment system:** 4 hinge screws on the floor

**Backrest lifting system:**

- Manual
- Automatic (counterweight)

**Fire rating according to chosen fabric**

#### METAL FRAME

Tubular frame made using robot- welding.

Frame is made from laser-cut parts and machined axles for a precise finish.

**Protective coating:** thermoset paint. Standard color: black (RAL 9005), other colors available, upon request

#### BACKREST / SEAT

**Wooden backrest and seat base frame** made of beech plywood, 10 mm thick, with double curve and height

**Ergonomic shape** for maximum comfort

**Finish:** Natural or / Stained varnished or/ painted wood

#### OPTIONS

Numbered seats

Colored frame (Other RAL)

Padded cushions on seat and/or back

Seat and/or back fully upholstered

Choice of fabrics

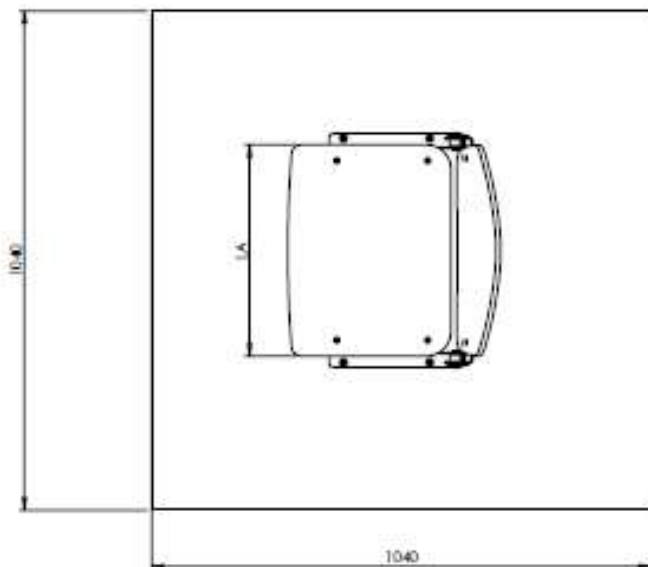
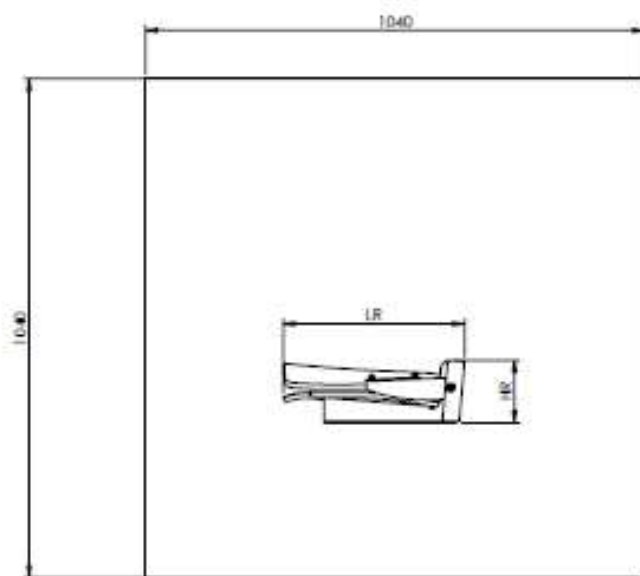
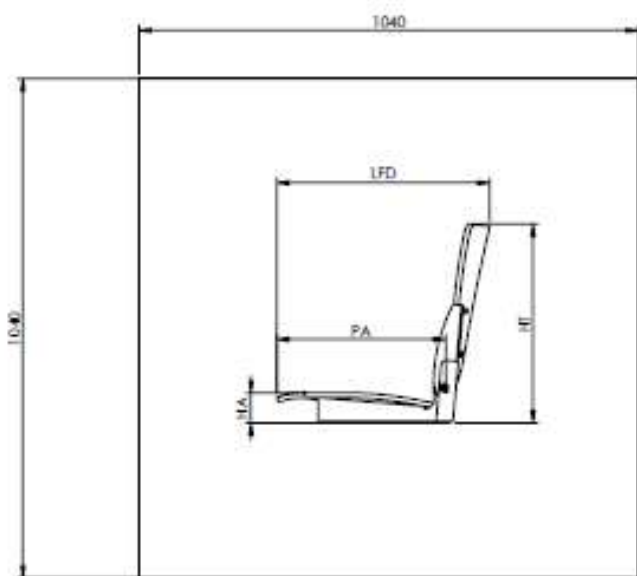
#### AUTOMATIC OPERATION

Backrest equipped with a counterweight for automatic operation





MASTER EVANCE



**MASTER EVANCE STD**

LA : 440mm

PA : 350mm

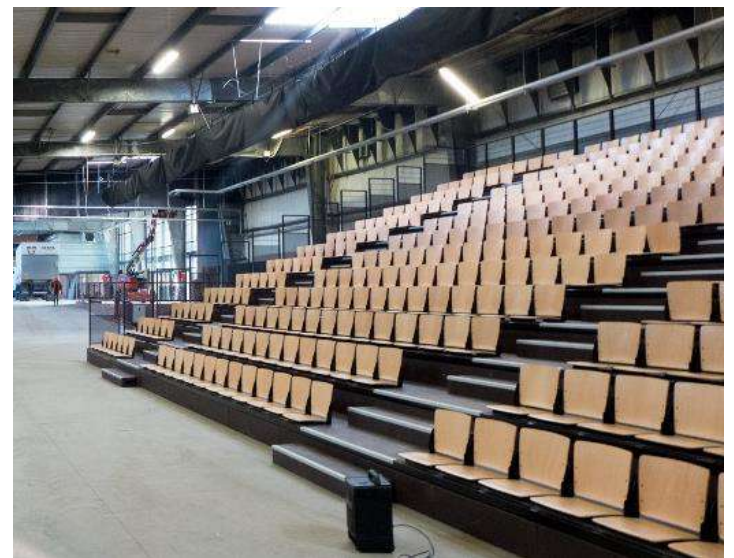
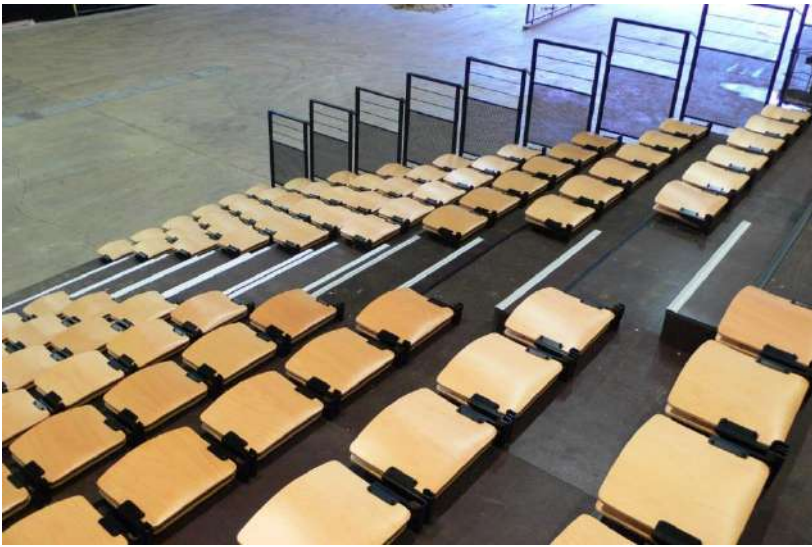
HA : 62mm

HT : 415mm

LFD : 445mm

HR : 130mm

LR : 380mm



Next generation retractable seating systems

**MASTER INDUSTRIE** Zone Vendéopôle – 1, rue René Laënnec – 85130 La Verrie - FRANCE  
Tél. : +33 (0)2 51 67 82 72 – Fax +33 (0)2 51 92 38 38 – e-mail : [master@master-industrie.com](mailto:master@master-industrie.com) – [www.master-industrie.com](http://www.master-industrie.com)