

## MASTER ONTARIO

### Simple and Compact



With its simple and strong design, Master Ontario perfectly fits auditoriums, arenas and multipurpose rooms.

Thanks to its availability in different versions, this seat is convenient for various uses:

- Chair with hinged seat folding down flat forwards for retractable seating systems.
- Fixed chair for balconies.
- Beam-mounted moveable seats.

Low profile, lifting spring, simplicity, all these assets provide good value for money.

MASTER Ontario is designed to allow an important space-saving in the aisles, and also to fit into low tier-heights.



**MASTER ONTARIO**  
Designed and manufactured  
entirely in France



\*See terms and condition  
Warranty



#### FEATURES

**For use as follows:** Chair with hinged seat folding down forwards on stand (Rear mounted)/Mounted on moveable beam / Attached to the floor.

**Operation:** manual by foot pedal

**Attachment System:** On stand: 2 self-tapping screws on the structure + 4 hinge screws on the floor. On the floor: mechanical anchors and screws adapted to the material.

**Tip-up Mechanism:** Automatic (spring-operated)

**MASTER Ontario (if delivered with upholstered cushions) complies with local fire regulations.**

**MASTER Ontario is designed and manufactured according to EN12727. (Mechanical resistance)**

#### METAL FRAME

Tubular frame made using robot-assisted mechanical welding from laser-cut parts and machined pins for greater precision and an improved finish.

**Protective Coating:** Thermosetting paint. Standard colour: Black (RAL 9005). Other colours available, upon request.

#### BACKREST/SEAT

**Wood frame** made of beech plywood, 13mm thick, shaped over the entire width.

**Ergonomic shape** for maximum comfort.

**Stained and varnished wood**

#### ARMREST (OPTIONAL)

Laser cut and robot-assembled hinged metal frame

Manual operation

Wooden armrest in natural or stained varnished wood

#### OPTIONS

Upholstered cushions on seat and backrest

Numbering

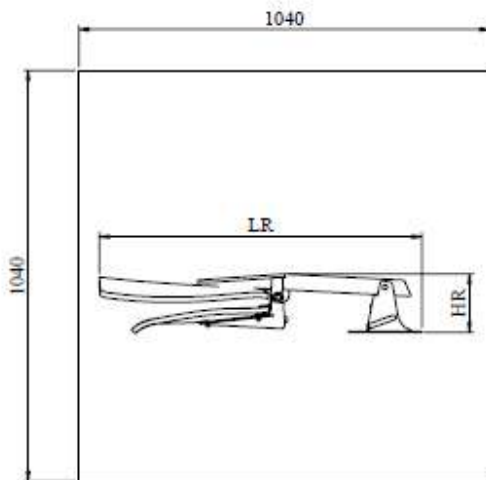
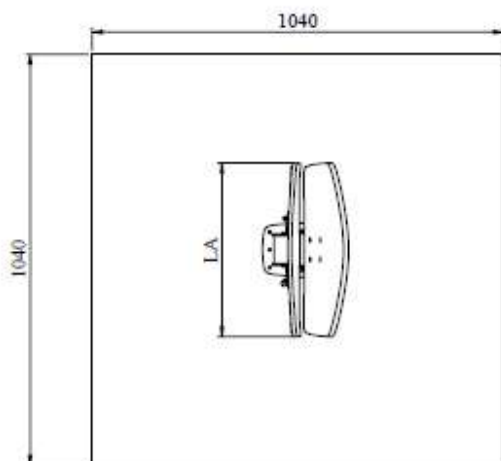
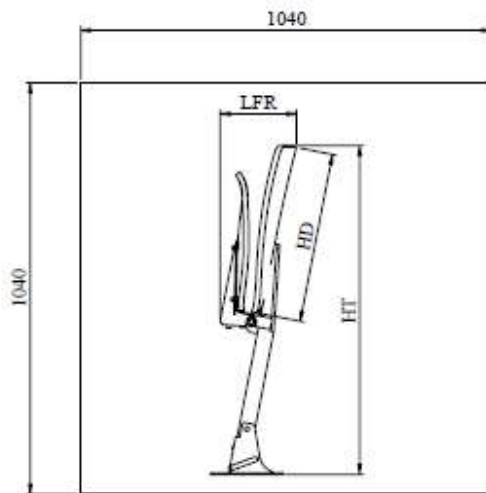
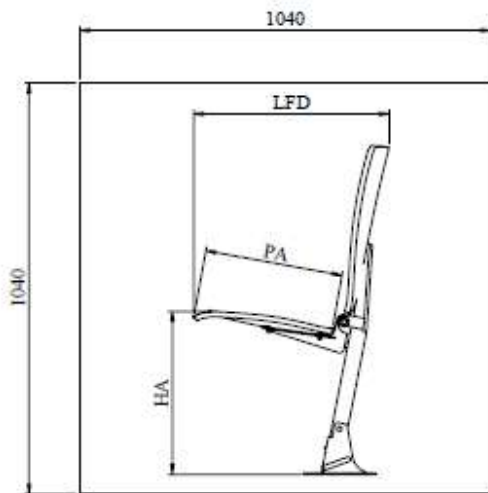
#### ACCESSORIES

Individual or continuous tablets (fixed, foldable or removable) attached to the backrest or armrest.

**MASTER  
INDUSTRIE**

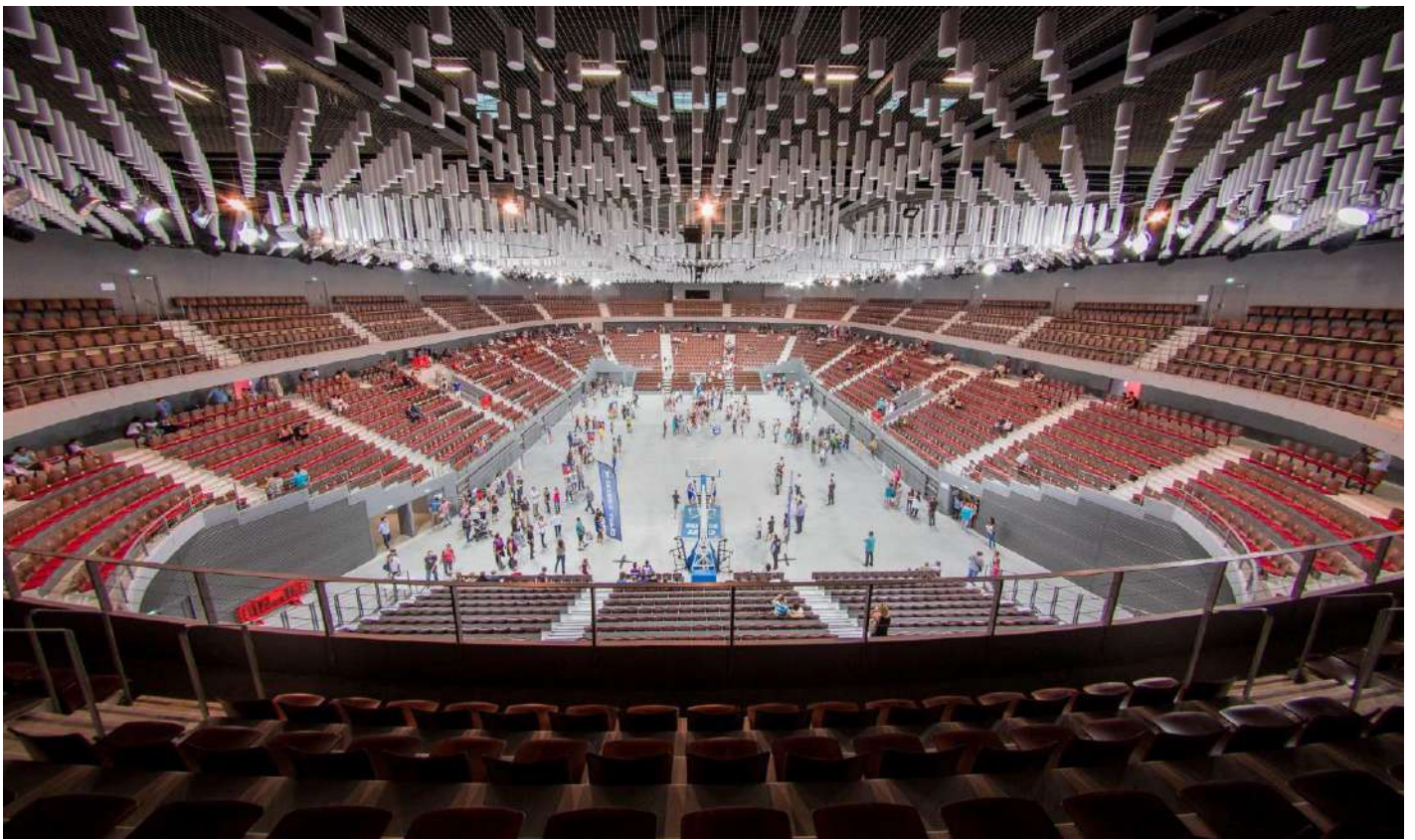


MASTER Ontario FDG – Hinged seats



MASTER ONTARIO STD

- LA : 440mm
- PA : 350mm
- HD : 430mm
- HA : 415mm
- HT : 830mm
- LFR : 195mm
- LFD : 495mm
- HR : 150mm
- LR : 800mm



Next generation retractable seating systems

**MASTER INDUSTRIE** Zone Vendéopôle – 1, rue René Laënnec – 85130 LA VERRIE

Tél. : +33 (0)2 51 67 82 72 – Fax +33 (0)2 51 92 38 38 – e-mail : [master@master-industrie.com](mailto:master@master-industrie.com) – [www.masterindustrie.com](http://www.masterindustrie.com)